



**TECHMINE**  
SOLUTIONS

**“WORK SMARTER NOT HARDER”**

**PRODUCT  
CATALOGUE** |

[www.techmine.com.au](http://www.techmine.com.au)

# ABOUT US

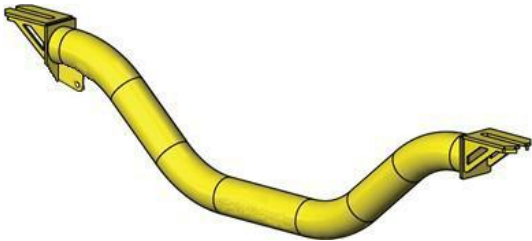
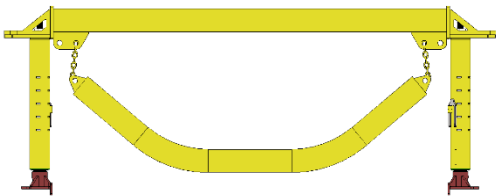
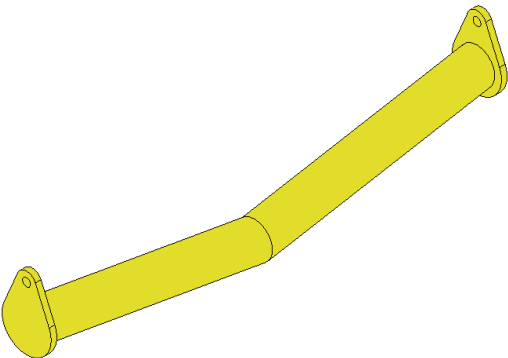
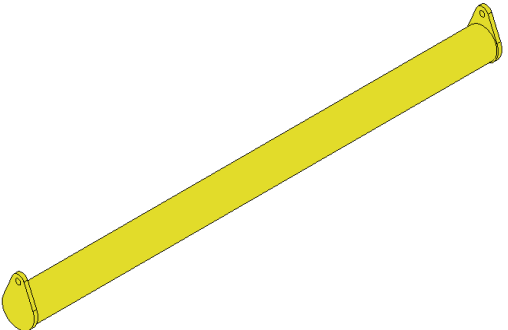
**“WORK SMARTER NOT HARDER”**

**That is the vision that underpins everything we do at Techmine Solutions. Founded by three associates with a simple vision: to create a new generation of conveyor belt maintenance tools to revolutionise the way bulk roller changeouts are conducted.**

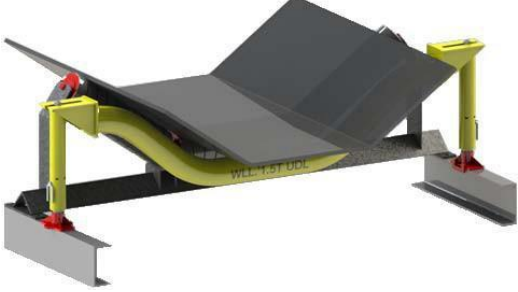


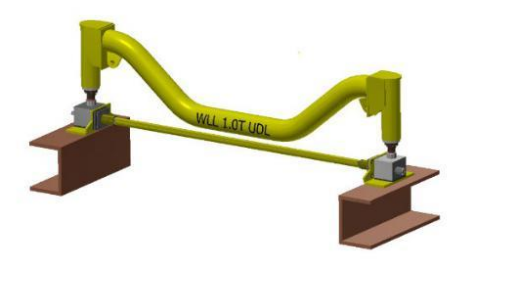
**Years of combined experience in managing site construction, facilitating bulk roller change outs, and maintaining fixed plant machinery has allowed Techmine Solutions to provide smart, engineered, and custom solutions to meet and exceed the demanding requirements of our clients.**



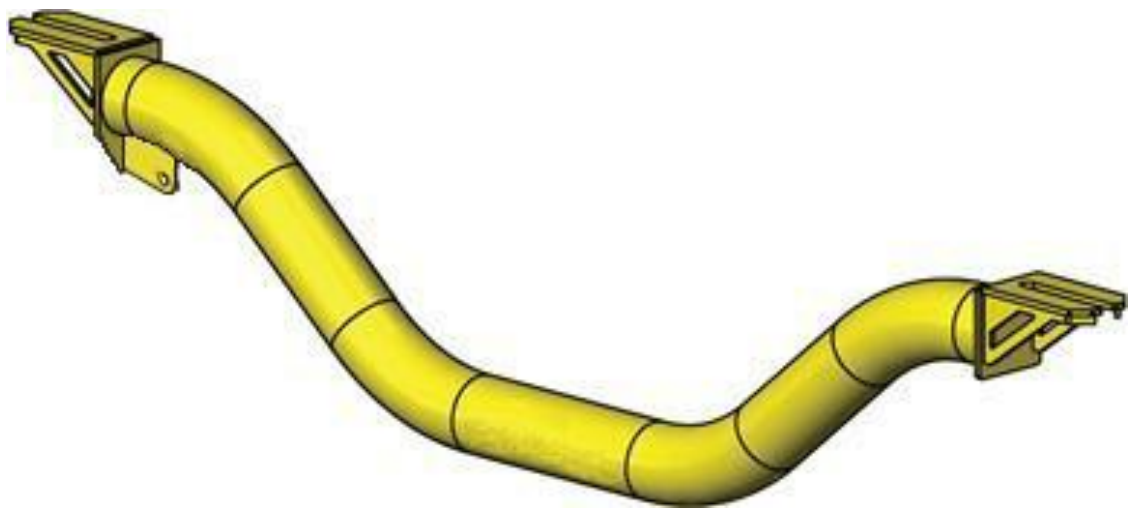
# SECTION INDEX

	<b>TROUGH LIFTING BEAMS</b>	<b>PAGES 4-16</b>	
	<b>OVERTROUGH LIFTING BEAMS</b>	<b>PAGES 17-23</b>	
	<b>V-BENT LIFTING BEAMS</b>	<b>PAGES 24-33</b>	
	<b>FLAT LIFTING BEAMS</b>	<b>PAGES 34-39</b>	

# SECTION INDEX

	<p><b>HYDRAULIC BELT LIFTER</b></p>	<p><b>PAGES 40-41</b></p>	
	<p><b>ENERPAC AND TECHMINE CONVERTER</b></p>	<p><b>PAGE 42</b></p>	
	<p><b>HYDRAULIC POWER PACK</b></p>	<p><b>PAGE 43</b></p>	
	<p><b>MECHANICAL BELT LIFTER</b></p>	<p><b>PAGE 44'4</b></p>	

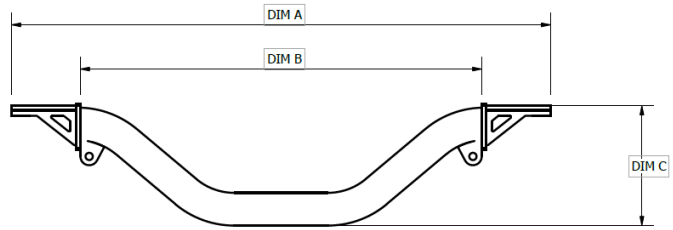
# TROUGH LIFTING BEAMS



# 1T TROUGH LIFTING BEAMS

PART NUMBER	DETAILS	WEIGHT (KG)
TM-STB750	750MM LIFTING BEAM – 1T (WITH RETURN BELT LIFTING POINTS)	6.3
TM-STB900	900MM LIFTING BEAM – 1T (WITH RETURN BELT LIFTING POINTS)	6.5
TM-STB950	950MM LIFTING BEAM – 1T (WITH RETURN BELT LIFTING POINTS)	6.7
TM-STB1000	1000MM LIFTING BEAM – 1T (WITH RETURN BELT LIFTING POINTS)	6.9
TM-STB1050	1050MM LIFTING BEAM – 1T (WITH RETURN BELT LIFTING POINTS)	7.1
TM-STB1200	1200MM LIFTING BEAM – 1T (WITH RETURN BELT LIFTING POINTS)	7.7
TM-STB1250	1250MM LIFTING BEAM – 1T (WITH RETURN BELT LIFTING POINTS)	7.9
TM-STB1350	1350MM LIFTING BEAM – 1T (WITH RETURN BELT LIFTING POINTS)	8.1
TM-STB1400	1400MM LIFTING BEAM – 1T (WITH RETURN BELT LIFTING POINTS)	8.8
TM-STB1450	1450MM LIFTING BEAM – 1T (WITH RETURN BELT LIFTING POINTS)	9.2
TM-STB1500	1500MM LIFTING BEAM – 1T (WITH RETURN BELT LIFTING POINTS)	9.4
TM-STB1550	1550MM LIFTING BEAM – 1T (WITH RETURN BELT LIFTING POINTS)	9.6
TM-STB1600	1600MM LIFTING BEAM – 1T (WITH RETURN BELT LIFTING POINTS)	9.8
TM-STB1650	1650MM LIFTING BEAM – 1T (WITH RETURN BELT LIFTING POINTS)	10.0
TM-STB1800	1800MM LIFTING BEAM – 1T (WITH RETURN BELT LIFTING POINTS)	10.4
TM-STB1850	1850MM LIFTING BEAM – 1T (WITH RETURN BELT LIFTING POINTS)	10.6
TM-STB1900	1900MM LIFTING BEAM – 1T (WITH RETURN BELT LIFTING POINTS)	10.7
TM-STB2000	2000MM LIFTING BEAM – 1T (WITH RETURN BELT LIFTING POINTS)	11.0
TM-STB2050	2050MM LIFTING BEAM – 1T (WITH RETURN BELT LIFTING POINTS)	11.2
TM-STB2200	2200MM LIFTING BEAM – 1T (WITH RETURN BELT LIFTING POINTS)	11.4
TM-STB2250	2250MM LIFTING BEAM – 1T (WITH RETURN BELT LIFTING POINTS)	11.6
TM-STB2400	2400MM LIFTING BEAM – 1T (WITH RETURN BELT LIFTING POINTS)	11.8
TM-STB2450	2450MM LIFTING BEAM – 1T (WITH RETURN BELT LIFTING POINTS)	12.0
TM-STB2500	2500MM LIFTING BEAM – 1T (WITH RETURN BELT LIFTING POINTS)	12.2
TM-STB2600	2600MM LIFTING BEAM – 1T (WITH RETURN BELT LIFTING POINTS)	12.5

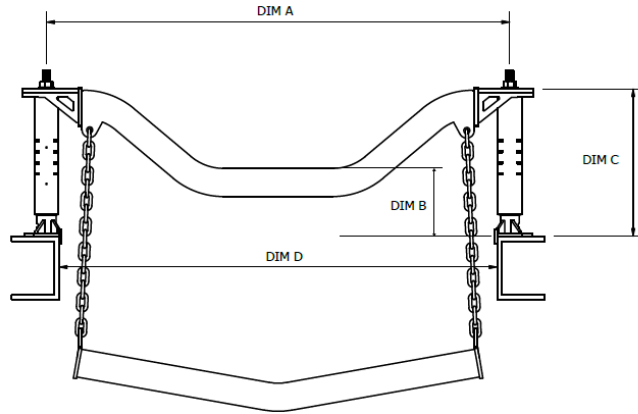
# LIFTING BEAM DIMENSIONS



## 1T TROUGH LIFTING BEAMS

PART NUMBER	DIMENSION A (MM)	DIMENSION B (MM)	DIMENSION C (MM)
TM-STB750	1164	790	266
TM-STB900	1314	940	302
TM-STB950	1364	990	314
TM-STB1000	1414	1040	325
TM-STB1050	1464	1090	325
TM-STB1200	1614	1240	341
TM-STB1250	1664	1290	345
TM-STB1350	1764	1390	402
TM-STB1400	1814	1440	402
TM-STB1450	1864	1490	417
TM-STB1500	1914	1540	431
TM-STB1550	1964	1590	445
TM-STB1600	2014	1640	459
TM-STB1650	2064	1690	460
TM-STB1800	2214	1840	461
TM-STB1850	2264	1890	482
TM-STB1900	2314	1940	503
TM-STB2000	2414	2040	513
TM-STB2050	2464	2090	518
TM-STB2200	2614	2240	532
TM-STB2250	2664	2290	539
TM-STB2400	2814	2440	558
TM-STB2450	2864	2490	564
TM-STB2500	2914	2540	570
TM-STB2600	3014	2640	582

# GENERAL ASSEMBLY DIMENSIONS

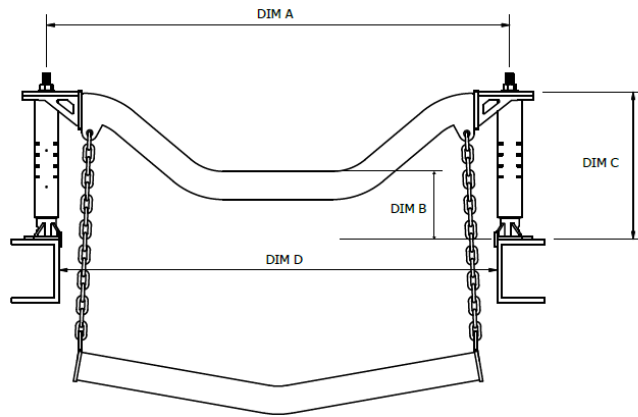


## 1T TROUGH LIFTING BEAMS – 250MM TELESCOPE

PART NUMBER	DIM A (MIN)	DIM A (MAX)	DIM B (MIN)	DIM B (MAX)	DIM C (MIN)	DIM C (MAX)	DIM D (MIN)	DIM D (MAX)
TM-STB750	870	1090	293	543	470	720	815	985
TM-STB900	1020	1240	257	507	470	720	965	1135
TM-STB950	1070	1290	245	495	470	720	1015	1185
TM-STB1000	1120	1340	234	484	470	720	1065	1235
TM-STB1050	1170	1390	234	484	470	720	1115	1285
TM-STB1200	1320	1540	218	468	470	720	1265	1435
TM-STB1250	1370	1590	214	464	470	720	1315	1485
TM-STB1350	1470	1690	157	407	470	720	1415	1585
TM-STB1400	1520	1740	157	407	470	720	1465	1635
TM-STB1450	1570	1790	142	392	470	720	1515	1685
TM-STB1500	1620	1840	128	378	470	720	1565	1735
TM-STB1550	1670	1890	114	364	470	720	1615	1785



# GENERAL ASSEMBLY DIMENSIONS



## 1T TROUGH LIFTING BEAMS – 350MM TELESCOPE

PART NUMBER	DIM A (MIN)	DIM A (MAX)	DIM B (MIN)	DIM B (MAX)	DIM C (MIN)	DIM C (MAX)	DIM D (MIN)	DIM D (MAX)
TM-STB1600	1720	1940	200	550	570	920	1665	1835
TM-STB1650	1770	1990	199	549	570	920	1715	1885
TM-STB1800	1920	2140	198	548	570	920	1865	2035
TM-STB1850	1970	2190	177	527	570	920	1915	2085
TM-STB1900	2020	2240	156	506	570	920	1965	2135
TM-STB2000	2120	2340	146	496	570	920	2065	2235
TM-STB2050	2170	2390	141	491	570	920	2115	2285
TM-STB2200	2320	2540	127	477	570	920	2265	2435
TM-STB2250	2370	2590	120	470	570	920	2315	2485
TM-STB2400	2520	2740	101	451	570	920	2465	2635
TM-STB2450	2570	2790	95	445	570	920	2515	2685
TM-STB2500	2620	2840	89	439	570	920	2565	2735
TM-STB2600	2720	2940	77	427	570	920	2665	2835

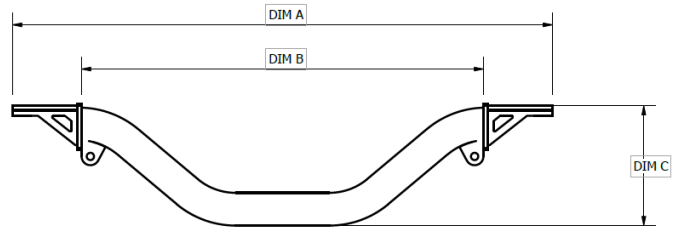
### NOTES

- DIM B (MIN) AND DIM C (MIN) REFERS TO HEIGHT WHEN HYDRAULIC TELESCOPE IS AT MINIMUM EXTENSION.
- DIM B (MAX) AND DIM C (MAX) REFERS TO HEIGHT WHEN HYDRAULIC TELESCOPE IS AT MAXIMUM EXTENSION.
- 100MM AND 150MM EXTENSIONS ARE AVAILABLE FOR BEAMS TM-STB-2000 AND ABOVE.
- PLEASE USE GENERAL ASSEMBLY DIMENSION GUIDE IN CONJUNCTION WITH TECHMINE QUESTIONNAIRE SHEET

## 1.5T TROUGH LIFTING BEAMS

PART NUMBER	DETAILS	WEIGHT (KG)
TM-LTB750	750MM LIFTING BEAM – 1.5T (WITH RETURN BELT LIFTING POINTS)	6.3
TM-LTB900	900MM LIFTING BEAM – 1.5T (WITH RETURN BELT LIFTING POINTS)	6.5
TM-LTB950	950MM LIFTING BEAM – 1.5T (WITH RETURN BELT LIFTING POINTS)	6.7
TM-LTB1000	1000MM LIFTING BEAM – 1.5T (WITH RETURN BELT LIFTING POINTS)	6.9
TM-LTB1050	1050MM LIFTING BEAM – 1.5T (WITH RETURN BELT LIFTING POINTS)	7.1
TM-LTB1200	1200MM LIFTING BEAM – 1.5T (WITH RETURN BELT LIFTING POINTS)	7.7
TM-LTB1250	1250MM LIFTING BEAM – 1.5T (WITH RETURN BELT LIFTING POINTS)	7.9
TM-LTB1350	1350MM LIFTING BEAM – 1.5T (WITH RETURN BELT LIFTING POINTS)	8.1
TM-LTB1400	1400MM LIFTING BEAM – 1.5T (WITH RETURN BELT LIFTING POINTS)	8.8
TM-LTB1450	1450MM LIFTING BEAM – 1.5T (WITH RETURN BELT LIFTING POINTS)	9.2
TM-LTB1500	1500MM LIFTING BEAM – 1.5T (WITH RETURN BELT LIFTING POINTS)	9.4
TM-LTB1550	1550MM LIFTING BEAM – 1.5T (WITH RETURN BELT LIFTING POINTS)	9.6
TM-LTB1600	1600MM LIFTING BEAM – 1.5T (WITH RETURN BELT LIFTING POINTS)	12.7
TM-LTB1650	1650MM LIFTING BEAM – 1.5T (WITH RETURN BELT LIFTING POINTS)	13.2
TM-LTB1800	1800MM LIFTING BEAM – 1.5T (WITH RETURN BELT LIFTING POINTS)	15.3
TM-LTB1850	1850MM LIFTING BEAM – 1.5T (WITH RETURN BELT LIFTING POINTS)	15.7
TM-LTB2000	2000MM LIFTING BEAM – 1.5T (WITH RETURN BELT LIFTING POINTS)	16.6
TM-LTB2050	2050MM LIFTING BEAM – 1.5T (WITH RETURN BELT LIFTING POINTS)	17.1
TM-LTB2200	2200MM LIFTING BEAM – 1.5T (WITH RETURN BELT LIFTING POINTS)	18.0
TM-LTB2250	2250MM LIFTING BEAM – 1.5T (WITH RETURN BELT LIFTING POINTS)	18.3
TM-LTB2400	2400MM LIFTING BEAM – 1.5T (WITH RETURN BELT LIFTING POINTS)	19.0
TM-LTB2450	2450MM LIFTING BEAM – 1.5T (WITH RETURN BELT LIFTING POINTS)	19.2
TM-LTB2500	2500MM LIFTING BEAM – 1.5T (WITH RETURN BELT LIFTING POINTS)	19.4
TM-LTB2600	2600MM LIFTING BEAM – 1.5T (WITH RETURN BELT LIFTING POINTS)	19.8

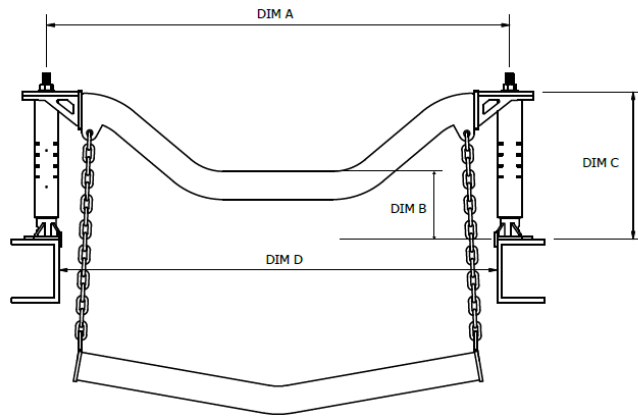
# LIFTING BEAM DIMENSIONS



## 1.5T TROUGH LIFTING BEAMS

PART NUMBER	DIMENSION A (MM)	DIMENSION B (MM)	DIMENSION C (MM)
TM-LTB750	1164	790	266
TM-LTB900	1314	940	302
TM-LTB950	1364	990	314
TM-LTB1000	1414	1040	325
TM-LTB1050	1464	1090	325
TM-LTB1200	1614	1240	341
TM-LTB1250	1664	1290	345
TM-LTB1350	1764	1390	402
TM-LTB1400	1814	1440	402
TM-LTB1450	1864	1490	417
TM-LTB1500	1914	1540	431
TM-LTB1550	1964	1590	445
TM-LTB1600	2014	1640	459
TM-LTB1650	2154	1690	504
TM-LTB1800	2304	1840	504
TM-LTB1850	2354	1890	515
TM-LTB2000	2464	2040	564
TM-LTB2050	2554	2090	554
TM-LTB2200	2704	2240	575
TM-LTB2250	2754	2290	582
TM-LTB2400	2904	2440	601
TM-LTB2450	2954	2490	607
TM-LTB2500	3004	2540	613
TM-LTB2600	3104	2640	627

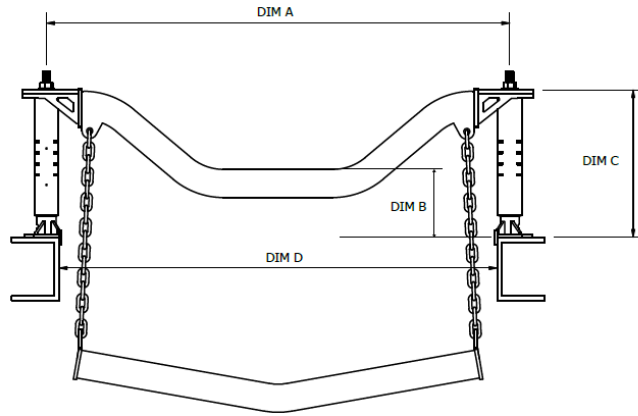
# GENERAL ASSEMBLY DIMENSIONS



## 1.5T TROUGH LIFTING BEAMS – 250MM TELESCOPE

PART NUMBER	DIM A (MIN)	DIM A (MAX)	DIM B (MIN)	DIM B (MAX)	DIM C (MIN)	DIM C (MAX)	DIM D (MIN)	DIM D (MAX)
TM-LTB750	870	1090	293	543	470	720	815	985
TM-LTB900	1020	1240	257	507	470	720	965	1135
TM-LTB950	1070	1290	245	495	470	720	1015	1185
TM-LTB1000	1120	1340	234	484	470	720	1065	1235
TM-LTB1050	1170	1390	234	484	470	720	1115	1285
TM-LTB1200	1320	1540	218	468	470	720	1265	1435
TM-LTB1250	1370	1590	214	464	470	720	1315	1485
TM-LTB1350	1470	1690	157	407	470	720	1415	1585
TM-LTB1400	1520	1740	157	407	470	720	1465	1635
TM-LTB1450	1570	1790	142	392	470	720	1515	1685
TM-LTB1500	1620	1840	128	378	470	720	1565	1735
TM-LTB1550	1670	1890	114	364	470	720	1615	1785

# GENERAL ASSEMBLY DIMENSIONS



## 1.5T TROUGH LIFTING BEAMS – 350MM TELESCOPE

PART NUMBER	DIM A (MIN)	DIM A (MAX)	DIM B (MIN)	DIM B (MAX)	DIM C (MIN)	DIM C (MAX)	DIM D (MIN)	DIM D (MAX)
TM-LTB1600	1690	1950	238	588	570	920	1665	1835
TM-LTB1650	1740	2000	193	543	570	920	1715	1885
TM-LTB1800	1890	2150	193	543	570	920	1865	2035
TM-LTB1850	1940	2200	182	532	570	920	1915	2085
TM-LTB2000	2090	2350	133	483	570	920	2065	2235
TM-LTB2050	2140	2400	143	493	570	920	2115	2285
TM-LTB2200	2290	2550	122	472	570	920	2265	2435
TM-LTB2250	2340	2600	115	465	570	920	2315	2485
TM-LTB2400	2490	2750	96	446	570	920	2465	2635
TM-LTB2450	2540	2800	90	440	570	920	2515	2685
TM-LTB2500	2590	2850	84	434	570	920	2565	2735
TM-LTB2600	2690	2950	70	420	570	920	2665	2835

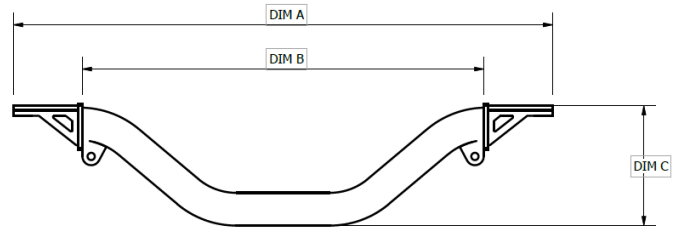
### NOTES

- DIM B (MIN) AND DIM C (MIN) REFERS TO HEIGHT WHEN HYDRAULIC TELESCOPE IS AT MINIMUM EXTENSION.
- DIM B (MAX) AND DIM C (MAX) REFERS TO HEIGHT WHEN HYDRAULIC TELESCOPE IS AT MAXIMUM EXTENSION.
- 100MM AND 150MM EXTENSIONS ARE AVAILABLE FOR BEAMS TM LTB-2000 AND ABOVE.
- PLEASE USE GENERAL ASSEMBLY DIMENSION GUIDE IN CONJUNCTION WITH TECHMINE QUESTIONNAIRE SHEET

## 2T TROUGH LIFTING BEAMS

PART NUMBER	DETAILS	WEIGHT (KG)
TM-XTB750	750MM LIFTING BEAM – 2T (WITH RETURN BELT LIFTING POINTS)	6.3
TM-XTB900	900MM LIFTING BEAM – 2T (WITH RETURN BELT LIFTING POINTS)	6.5
TM-XTB950	950MM LIFTING BEAM – 2T (WITH RETURN BELT LIFTING POINTS)	6.7
TM-XTB1000	1000MM LIFTING BEAM – 2T (WITH RETURN BELT LIFTING POINTS)	6.9
TM-XTB1050	1050MM LIFTING BEAM – 2T (WITH RETURN BELT LIFTING POINTS)	7.1
TM-XTB1200	1200MM LIFTING BEAM – 2T (WITH RETURN BELT LIFTING POINTS)	7.7
TM-XTB1250	1250MM LIFTING BEAM – 2T (WITH RETURN BELT LIFTING POINTS)	7.9
TM-XTB1350	1350MM LIFTING BEAM – 2T (WITH RETURN BELT LIFTING POINTS)	8.1
TM-XTB1400	1400MM LIFTING BEAM – 2T (WITH RETURN BELT LIFTING POINTS)	8.8
TM-XTB1450	1450MM LIFTING BEAM – 2T (WITH RETURN BELT LIFTING POINTS)	9.2
TM-XTB1500	1500MM LIFTING BEAM – 2T (WITH RETURN BELT LIFTING POINTS)	9.4
TM-XTB1550	1550MM LIFTING BEAM – 2T (WITH RETURN BELT LIFTING POINTS)	9.6
TM-XTB1600	1600MM LIFTING BEAM – 2T (WITH RETURN BELT LIFTING POINTS)	12.7
TM-XTB1650	1650MM LIFTING BEAM – 2T (WITH RETURN BELT LIFTING POINTS)	13.2
TM-XTB1800	1800MM LIFTING BEAM – 2T (WITH RETURN BELT LIFTING POINTS)	15.3
TM-XTB1850	1850MM LIFTING BEAM – 2T (WITH RETURN BELT LIFTING POINTS)	15.7
TM-XTB2000	2000MM LIFTING BEAM – 2T (WITH RETURN BELT LIFTING POINTS)	16.6
TM-XTB2050	2050MM LIFTING BEAM – 2T (WITH RETURN BELT LIFTING POINTS)	17.1
TM-XTB2200	2200MM LIFTING BEAM – 2T (WITH RETURN BELT LIFTING POINTS)	18.0
TM-XTB2250	2250MM LIFTING BEAM – 2T (WITH RETURN BELT LIFTING POINTS)	18.3
TM-XTB2400	2400MM LIFTING BEAM – 2T (WITH RETURN BELT LIFTING POINTS)	19.0
TM-XTB2450	2450MM LIFTING BEAM – 2T (WITH RETURN BELT LIFTING POINTS)	19.2
TM-XTB2500	2500MM LIFTING BEAM – 2T (WITH RETURN BELT LIFTING POINTS)	19.4
TM-XTB2600	2600MM LIFTING BEAM – 2T (WITH RETURN BELT LIFTING POINTS)	19.8

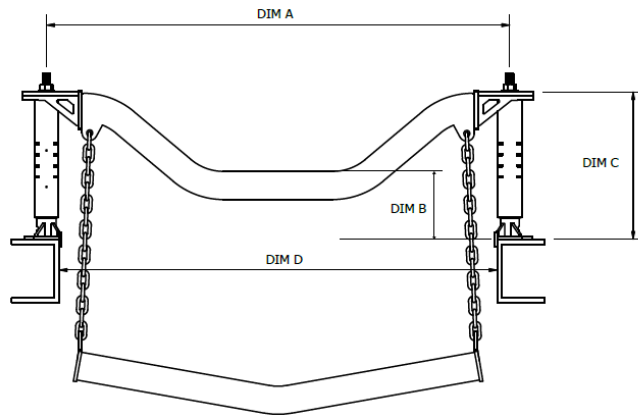
# LIFTING BEAM DIMENSIONS



## 2T TROUGH LIFTING BEAMS

PART NUMBER	DIMENSION A (MM)	DIMENSION B (MM)	DIMENSION C (MM)
TM-XTB750	1164	790	266
TM-XTB900	1314	940	302
TM-XTB950	1364	990	314
TM-XTB1000	1414	1040	325
TM-XTB1050	1464	1090	325
TM-XTB1200	1614	1240	341
TM-XTB1250	1664	1290	345
TM-XTB1350	1764	1390	402
TM-XTB1400	1814	1440	402
TM-XTB1450	1864	1490	417
TM-XTB1500	1914	1540	431
TM-XTB1550	1964	1590	445
TM-XTB1600	2014	1640	459
TM-XTB1650	2154	1690	504
TM-XTB1800	2304	1840	504
TM-XTB1850	2354	1890	515
TM-XTB2000	2464	2040	564
TM-XTB2050	2554	2090	554
TM-XTB2200	2704	2240	575
TM-XTB2250	2754	2290	582
TM-XTB2400	2904	2440	601
TM-XTB2450	2954	2490	607
TM-XTB2500	3004	2540	613
TM-XTB2600	3104	2640	627

# GENERAL ASSEMBLY DIMENSIONS

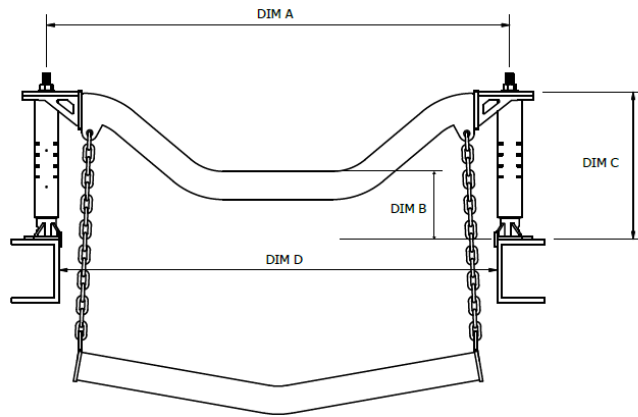


## 2T TROUGH LIFTING BEAMS – 250MM TELESCOPE

PART NUMBER	DIM A (MIN)	DIM A (MAX)	DIM B (MIN)	DIM B (MAX)	DIM C (MIN)	DIM C (MAX)	DIM D (MIN)	DIM D (MAX)
TM-XTB750	870	1090	293	543	470	720	815	985
TM-XTB900	1020	1240	257	507	470	720	965	1135
TM-XTB950	1070	1290	245	495	470	720	1015	1185
TM-XTB1000	1120	1340	234	484	470	720	1065	1235
TM-XTB1050	1170	1390	234	484	470	720	1115	1285
TM-XTB1200	1320	1540	218	468	470	720	1265	1435
TM-XTB1250	1370	1590	214	464	470	720	1315	1485
TM-XTB1350	1470	1690	157	407	470	720	1415	1585
TM-XTB1400	1520	1740	157	407	470	720	1465	1635
TM-XTB1450	1570	1790	142	392	470	720	1515	1685
TM-XTB1500	1620	1840	128	378	470	720	1565	1735
TM-XTB1550	1670	1890	114	364	470	720	1615	1785



# GENERAL ASSEMBLY DIMENSIONS



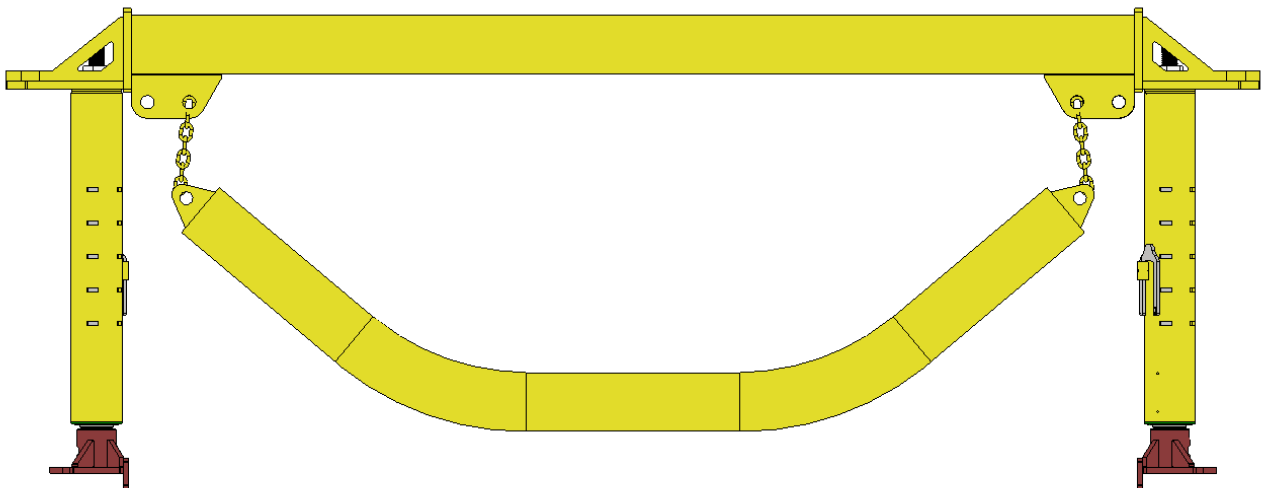
## 2T TROUGH LIFTING BEAMS – 350MM TELESCOPE

PART NUMBER	DIM A (MIN)	DIM A (MAX)	DIM B (MIN)	DIM B (MAX)	DIM C (MIN)	DIM C (MAX)	DIM D (MIN)	DIM D (MAX)
TM-XTB1600	1690	1950	238	588	570	920	1665	1835
TM-XTB1650	1740	2000	193	543	570	920	1715	1885
TM-XTB1800	1890	2150	193	543	570	920	1865	2035
TM-XTB1850	1940	2200	182	532	570	920	1915	2085
TM-XTB2000	2090	2350	133	483	570	920	2065	2235
TM-XTB2050	2140	2400	143	493	570	920	2115	2285
TM-XTB2200	2290	2550	122	472	570	920	2265	2435
TM-XTB2250	2340	2600	115	465	570	920	2315	2485
TM-XTB2400	2490	2750	96	446	570	920	2465	2635
TM-XTB2450	2540	2800	90	440	570	920	2515	2685
TM-XTB2500	2590	2850	84	434	570	920	2565	2735
TM-XTB2600	2690	2950	70	420	570	920	2665	2835

### NOTES

- DIM B (MIN) AND DIM C (MIN) REFERS TO HEIGHT WHEN HYDRAULIC TELESCOPE IS AT MINIMUM EXTENSION.
- DIM B (MAX) AND DIM C (MAX) REFERS TO HEIGHT WHEN HYDRAULIC TELESCOPE IS AT MAXIMUM EXTENSION.
- 100MM AND 150MM EXTENSIONS ARE AVAILABLE FOR BEAMS TM XTB-2000 AND ABOVE.
- PLEASE USE GENERAL ASSEMBLY DIMENSION GUIDE IN CONJUNCTION WITH TECHMINE QUESTIONNAIRE SHEET

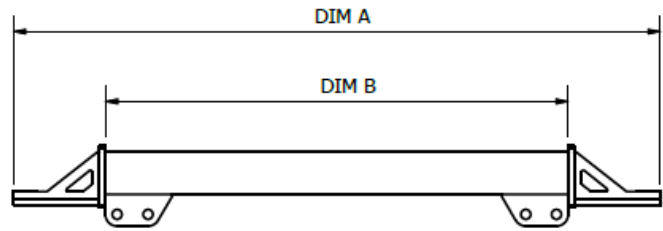
# OVERTROUGH LIFTING BEAMS



# 1T OVERTROUGH LIFTING BEAMS

PART NUMBER	DETAILS	WEIGHT (KG)
TM-OTS900	900MM LIFTING BEAM – 1T (WITH RETURN BELT LIFTING POINTS)	3.6
TM-OTS1050	1050MM LIFTING BEAM – 1T (WITH RETURN BELT LIFTING POINTS)	4.1
TM-OTS1200	1200MM LIFTING BEAM – 1T (WITH RETURN BELT LIFTING POINTS)	4.7
TM-OTS1350	1350MM LIFTING BEAM – 1T (WITH RETURN BELT LIFTING POINTS)	5.3
TM-OTS1400	1400MM LIFTING BEAM – 1T (WITH RETURN BELT LIFTING POINTS)	5.4
TM-OTS1500	1500MM LIFTING BEAM – 1T (WITH RETURN BELT LIFTING POINTS)	5.8
TM-OTS1600	1600MM LIFTING BEAM – 1T (WITH RETURN BELT LIFTING POINTS)	6.2
TM-OTS1800	1800MM LIFTING BEAM – 1T (WITH RETURN BELT LIFTING POINTS)	7.0
TM-OTS2000	2000MM LIFTING BEAM – 1T (WITH RETURN BELT LIFTING POINTS)	7.7
TM-OTSCUST	CUSTOM LIFTING BEAM – 1T (WITH RETURN BELT LIFTING POINTS)	

# LIFTING BEAM DIMENSIONS



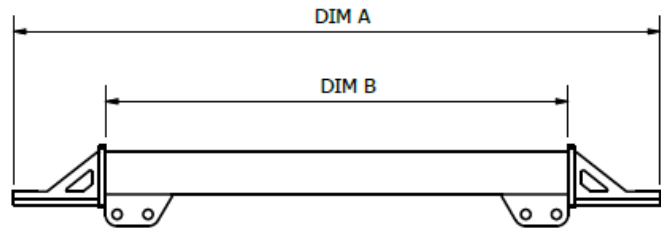
## 1T OVERTROUGH LIFTING BEAMS

PART NUMBER	DIMENSION A	DIMENSION B
TM-OTS900	1314	940
TM-OTS1050	1464	1090
TM-OTS1200	1614	1240
TM-OTS1350	1764	1390
TM-OTS1400	1814	1440
TM-OTS1500	1914	1540
TM-OTS1600	2014	1640
TM-OTS1800	2214	1840
TM-OTS2000	2414	2040
TM-OTSCUST	CUSTOM	

## 1.5T OVERTROUGH LIFTING BEAMS

PART NUMBER	DETAILS	WEIGHT (KG)
TM-OTL900	900MM LIFTING BEAM – 1.5T (WITH RETURN BELT LIFTING POINTS)	3.6
TM-OTL1050	1050MM LIFTING BEAM – 1.5T (WITH RETURN BELT LIFTING POINTS)	4.1
TM-OTL1200	1200MM LIFTING BEAM – 1.5T (WITH RETURN BELT LIFTING POINTS)	4.7
TM-OTL1350	1350MM LIFTING BEAM – 1.5T (WITH RETURN BELT LIFTING POINTS)	5.3
TM-OTL1400	1400MM LIFTING BEAM – 1.5T (WITH RETURN BELT LIFTING POINTS)	5.4
TM-OTL1500	1500MM LIFTING BEAM – 1.5T (WITH RETURN BELT LIFTING POINTS)	5.8
TM-OTL1600	1600MM LIFTING BEAM – 1.5T (WITH RETURN BELT LIFTING POINTS)	6.2
TM-OTL1800	1800MM LIFTING BEAM – 1.5T (WITH RETURN BELT LIFTING POINTS)	7.0
TM-OTL2000	2000MM LIFTING BEAM – 1.5T (WITH RETURN BELT LIFTING POINTS)	7.7
TM-OTL2200	2200MM LIFTING BEAM – 1.5T (WITH RETURN BELT LIFTING POINTS)	8.5
TM-OTLCUST	CUSTOM LIFTING BEAM – 1.5T (WITH RETURN BELT LIFTING POINTS)	

# LIFTING BEAM DIMENSIONS



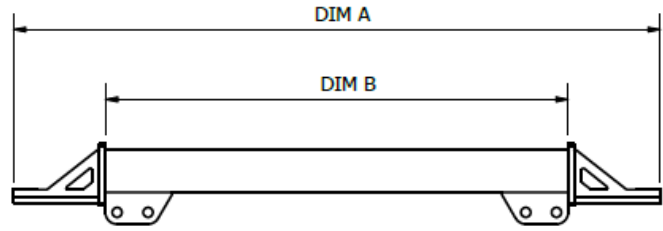
## 1.5T OVERTROUGH LIFTING

PART NUMBER	DIMENSION A	DIMENSION B
TM-OTL900	1314	940
TM-OTL1050	1464	1090
TM-OTL1200	1614	1240
TM-OTL1350	1764	1390
TM-OTL1400	1814	1440
TM-OTL1500	1914	1540
TM-OTL1600	2014	1640
TM-OTL1800	2214	1840
TM-OTL2000	2414	2040
TM-OTL2200	2614	2240
TM-OTLCUST	CUSTOM	CUSTOM

## 2T OVERTROUGH LIFTING BEAMS

PART NUMBER	DETAILS	WEIGHT (KG)
TM-OTX900	900MM LIFTING BEAM – 2T (WITH RETURN BELT LIFTING POINTS)	4.7
TM-OTX1050	1050MM LIFTING BEAM – 2T (WITH RETURN BELT LIFTING POINTS)	5.4
TM-OTX1200	1200MM LIFTING BEAM – 2T (WITH RETURN BELT LIFTING POINTS)	6.2
TM-OTX1350	1350MM LIFTING BEAM – 2T (WITH RETURN BELT LIFTING POINTS)	6.9
TM-OTX1400	1400MM LIFTING BEAM – 2T (WITH RETURN BELT LIFTING POINTS)	7.2
TM-OTX1500	1500MM LIFTING BEAM – 2T (WITH RETURN BELT LIFTING POINTS)	7.7
TM-OTX1600	1600MM LIFTING BEAM – 2T (WITH RETURN BELT LIFTING POINTS)	8.2
TM-OTX1800	1800MM LIFTING BEAM – 2T (WITH RETURN BELT LIFTING POINTS)	9.2
TM-OTX2000	2000MM LIFTING BEAM – 2T (WITH RETURN BELT LIFTING POINTS)	10.2
TM-OTX2200	2200MM LIFTING BEAM – 2T (WITH RETURN BELT LIFTING POINTS)	11.2
TM-OTX2400	2400MM LIFTING BEAM – 2T (WITH RETURN BELT LIFTING POINTS)	12.2
TM-OTX2600	2600MM LIFTING BEAM – 2T (WITH RETURN BELT LIFTING POINTS)	13.2
TM-OTXCUST	CUSTOM LIFTING BEAM – 2T (WITH RETURN BELT LIFTING POINTS)	

# LIFTING BEAM DIMENSIONS

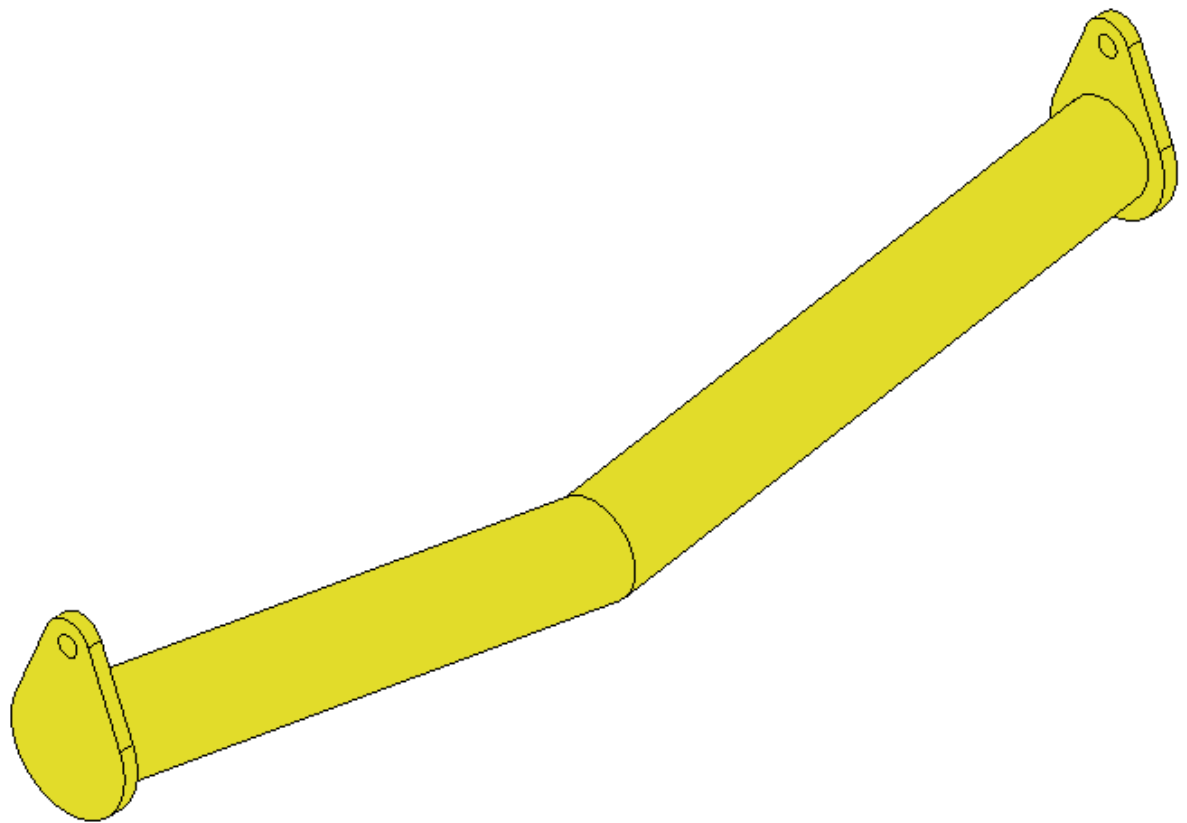


## 2T OVERTROUGH LIFTING BEAMS

PART NUMBER	DIMENSION A	DIMENSION B
TM-OTX900	1404	940
TM-OTX1050	1554	1090
TM-OTX1200	1704	1240
TM-OTX1350	1854	1390
TM-OTX1400	1904	1440
TM-OTX1500	2004	1540
TM-OTX1600	2104	1640
TM-OTX1800	2304	1840
TM-OTX2000	2504	2040
TM-OTX2200	2704	2240
TM-OTX2400	2904	2440
TM-OTX2600	3104	2640
TM-OTXCUST	CUSTOM	CUSTOM



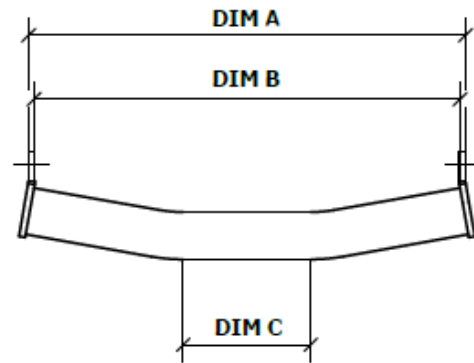
# V-BENT LIFTING BEAMS



## 1T V-BENT LIFTING BEAMS

PART NUMBER	DETAILS	WEIGHT (KG)
TM-SVB760	760MM LIFTING BEAM – 1T	2.7
TM-SVB900	900MM LIFTING BEAM – 1T	3.1
TM-SVB950	950MM LIFTING BEAM – 1T	3.4
TM-SVB1000	1000MM LIFTING BEAM – 1T	3.7
TM-SVB1050	1050MM LIFTING BEAM – 1T	3.9
TM-SVB1200	1200MM LIFTING BEAM – 1T	5.7
TM-SVB1250	1250MM LIFTING BEAM – 1T	5.9
TM-SVB1350	1350MM LIFTING BEAM – 1T	6.6
TM-SVB1400	1400MM LIFTING BEAM – 1T	7.2
TM-SVB1450	1450MM LIFTING BEAM – 1T	7.5
TM-SVB1500	1500MM LIFTING BEAM – 1T	7.8
TM-SVB1550	1550MM LIFTING BEAM – 1T	8.2
TM-SVB1600	1600MM LIFTING BEAM – 1T	8.5
TM-SVB1650	1650MM LIFTING BEAM – 1T	8.9
TM-SVB1800	1800MM LIFTING BEAM – 1T	9.5
TM-SVB1850	1850MM LIFTING BEAM – 1T	9.8
TM-SVB2000	2000MM LIFTING BEAM – 1T	10.5
TM-SVB2050	2050MM LIFTING BEAM – 1T	10.8
TM-SVB2200	2200MM LIFTING BEAM – 1T	11.5
TM-SVB2250	2250MM LIFTING BEAM – 1T	11.8
TM-SVB2400	2400MM LIFTING BEAM – 1T	12.5
TM-SVB2450	2450MM LIFTING BEAM – 1T	12.8
TM-SVB2500	2500MM LIFTING BEAM – 1T	13.1
TM-SVB2600	2600MM LIFTING BEAM – 1T	13.6
TM-SVB2700	2700MM LIFTING BEAM – 1T	14.0
TM-SVB3000	3000MM LIFTING BEAM – 1T	16.5

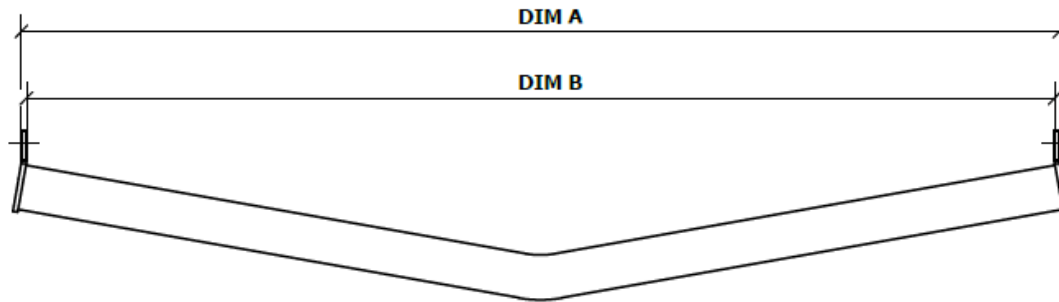
# LIFTING BEAM DIMENSIONS



## 1T V-BENT LIFTING BEAMS

PART NUMBER	DIMENSION A	DIMENSION B	DIMENSION C
TM-SVB760	824	800	240
TM-SVB900	964	940	287
TM-SVB950	1014	990	304
TM-SVB1000	1064	1040	321
TM-SVB1050	1114	1090	338
TM-SVB1200	1264	1240	389
TM-SVB1250	1314	1290	406
TM-SVB1350	1414	1390	440
TM-SVB1400	1464	1440	457
TM-SVB1450	1514	1490	474
TM-SVB1500	1564	1540	491
TM-SVB1550	1614	1590	508

# LIFTING BEAM DIMENSIONS



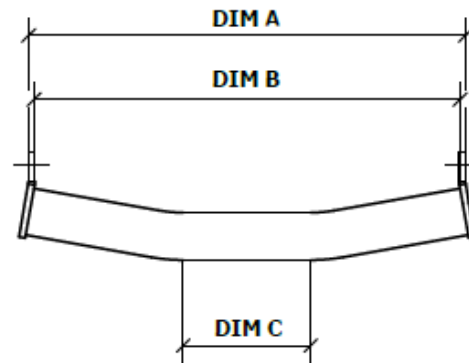
## 1T V-BENT LIFTING BEAMS

PART NUMBER	DIMENSION A	DIMENSION B
TM-SVB-1600	1664	1640
TM-SVB-1650	1714	1690
TM-SVB-1800	1864	1840
TM-SVB-1850	1914	1890
TM-SVB-2000	2064	2040
TM-SVB-2050	2114	2090
TM-SVB-2200	2264	2240
TM-SVB-2250	2314	2290
TM-SVB-2400	2464	2440
TM-SVB-2450	2514	2490
TM-SVB-2500	2564	2540
TM-SVB-2600	2664	2640
TM-SVB-2700	2764	2740
TM-SVB-3000	3064	3040

## 1.5T V-BENT LIFTING BEAMS

PART NUMBER	DETAILS	WEIGHT (KG)
TM-LVB760	760MM LIFTING BEAM – 1.5T	2.7
TM-LVB900	900MM LIFTING BEAM – 1.5T	3.1
TM-LVB950	950MM LIFTING BEAM – 1.5T	3.4
TM-LVB1000	1000MM LIFTING BEAM – 1.5T	3.7
TM-LVB1050	1050MM LIFTING BEAM – 1.5T	3.9
TM-LVB1200	1200MM LIFTING BEAM – 1.5T	5.7
TM-LVB1250	1250MM LIFTING BEAM – 1.5T	5.9
TM-LVB1350	1350MM LIFTING BEAM – 1.5T	6.6
TM-LVB1400	1400MM LIFTING BEAM – 1.5T	7.2
TM-LVB1450	1450MM LIFTING BEAM – 1.5T	7.5
TM-LVB1500	1500MM LIFTING BEAM – 1.5T	7.8
TM-LVB1550	1550MM LIFTING BEAM – 1.5T	8.2
TM-LVB1600	1600MM LIFTING BEAM – 1.5T	8.5
TM-LVB1650	1650MM LIFTING BEAM – 1.5T	8.9
TM-LVB1800	1800MM LIFTING BEAM – 1.5T	9.5
TM-LVB1850	1850MM LIFTING BEAM – 1.5T	9.8
TM-LVB2000	2000MM LIFTING BEAM – 1.5T	10.5
TM-LVB2050	2050MM LIFTING BEAM – 1.5T	10.8
TM-LVB2200	2200MM LIFTING BEAM – 1.5T	11.5
TM-LVB2250	2250MM LIFTING BEAM – 1.5T	11.8
TM-LVB2400	2400MM LIFTING BEAM – 1.5T	12.5
TM-LVB2450	2450MM LIFTING BEAM – 1.5T	12.8
TM-LVB2500	2500MM LIFTING BEAM – 1.5T	13.1
TM-LVB2600	2600MM LIFTING BEAM – 1.5T	13.6
TM-LVB2700	2700MM LIFTING BEAM – 1.5T	14.0
TM-LVB3000	3000MM LIFTING BEAM – 1.5T	16.5

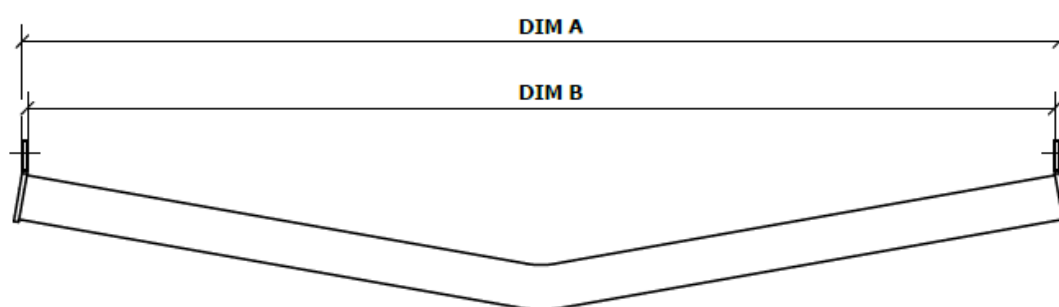
# LIFTING BEAM DIMENSIONS



## 1.5T V-BENT LIFTING BEAMS

PART NUMBER	DIMENSION A	DIMENSION B	DIMENSION C
TM-LVB-760	824	800	240
TM-LVB-900	964	940	287
TM-LVB-950	1014	990	304
TM-LVB-1000	1064	1040	321
TM-LVB-1050	1114	1090	338
TM-LVB-1200	1264	1240	389
TM-LVB-1250	1314	1290	406
TM-LVB-1350	1414	1390	440
TM-LVB-1400	1464	1440	457
TM-LVB-1450	1514	1490	474
TM-LVB-1500	1564	1540	491
TM-LVB-1550	1614	1590	508

# LIFTING BEAM DIMENSIONS



## 1.5T V-BENT LIFTING BEAMS

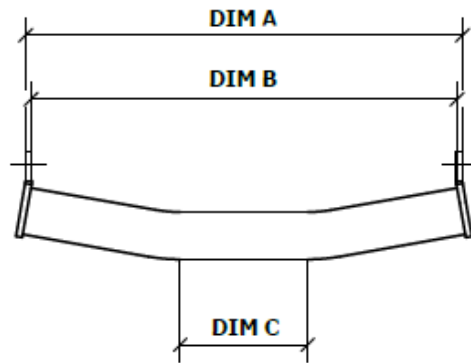
PART NUMBER	DIMENSION A	DIMENSION B
TM-LVB-1600	1664	1640
TM-LVB-1650	1714	1690
TM-LVB-1800	1864	1840
TM-LVB-1850	1914	1890
TM-LVB-2000	2064	2040
TM-LVB-2050	2114	2090
TM-LVB-2200	2264	2240
TM-LVB-2250	2314	2290
TM-LVB-2400	2464	2440
TM-LVB-2450	2514	2490
TM-LVB-2500	2564	2540
TM-LVB-2600	2664	2640
TM-LVB-2700	2764	2740
TM-LVB-3000	3064	3040

## 2T V-BENT LIFTING BEAMS

PART NUMBER	DETAILS	WEIGHT (KG)
TM-XVB760	760MM LIFTING BEAM – 2T	2.7
TM-XVB900	900MM LIFTING BEAM – 2T	3.1
TM-XVB950	950MM LIFTING BEAM – 2T	3.4
TM-XVB1000	1000MM LIFTING BEAM – 2T	3.7
TM-XVB1050	1050MM LIFTING BEAM – 2T	3.9
TM-XVB1200	1200MM LIFTING BEAM – 2T	5.7
TM-XVB1250	1250MM LIFTING BEAM – 2T	5.9
TM-XVB1350	1350MM LIFTING BEAM – 2T	6.6
TM-XVB1400	1400MM LIFTING BEAM – 2T	7.2
TM-XVB1450	1450MM LIFTING BEAM – 2T	7.5
TM-XVB1500	1500MM LIFTING BEAM – 2T	7.8
TM-XVB1550	1550MM LIFTING BEAM – 2T	8.2
TM-XVB1600	1600MM LIFTING BEAM – 2T	8.5
TM-XVB1650	1650MM LIFTING BEAM – 2T	8.9
TM-XVB1800	1800MM LIFTING BEAM – 2T	9.5
TM-XVB1850	1850MM LIFTING BEAM – 2T	9.8
TM-XVB2000	2000MM LIFTING BEAM – 2T	10.5
TM-XVB2050	2050MM LIFTING BEAM – 2T	10.8
TM-XVB2200	2200MM LIFTING BEAM – 2T	11.5
TM-XVB2250	2250MM LIFTING BEAM – 2T	11.8
TM-XVB2400	2400MM LIFTING BEAM – 2T	12.5
TM-XVB2450	2450MM LIFTING BEAM – 2T	12.8
TM-XVB2500	2500MM LIFTING BEAM – 2T	13.1
TM-XVB2600	2600MM LIFTING BEAM – 2T	13.6
TM-XVB2700	2700MM LIFTING BEAM – 2T	14.0
TM-XVB3000	3000MM LIFTING BEAM – 2T	16.5



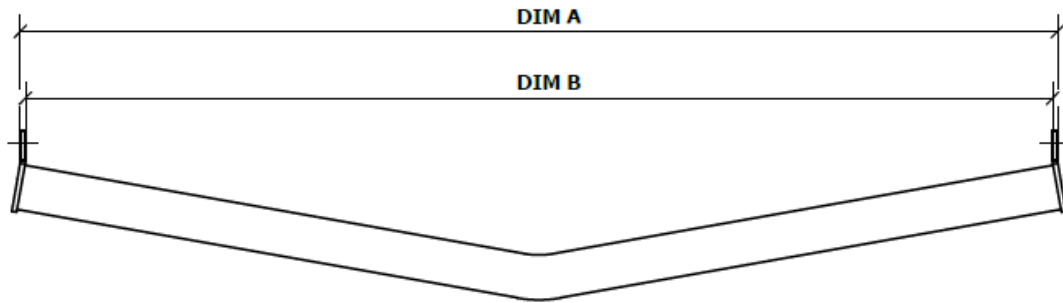
# LIFTING BEAM DIMENSIONS



## 2T V-BENT LIFTING BEAMS

PART NUMBER	DIMENSION A	DIMENSION B	DIMENSION C
TM-XVB-760	824	800	240
TM-XVB-900	964	940	287
TM-XVB-950	1014	990	304
TM-XVB-1000	1064	1040	321
TM-XVB-1050	1114	1090	338
TM-XVB-1200	1264	1240	389
TM-XVB-1250	1314	1290	406
TM-XVB-1350	1414	1390	440
TM-XVB-1400	1464	1440	457
TM-XVB-1450	1514	1490	474
TM-XVB-1500	1564	1540	491
TM-XVB-1550	1614	1590	508

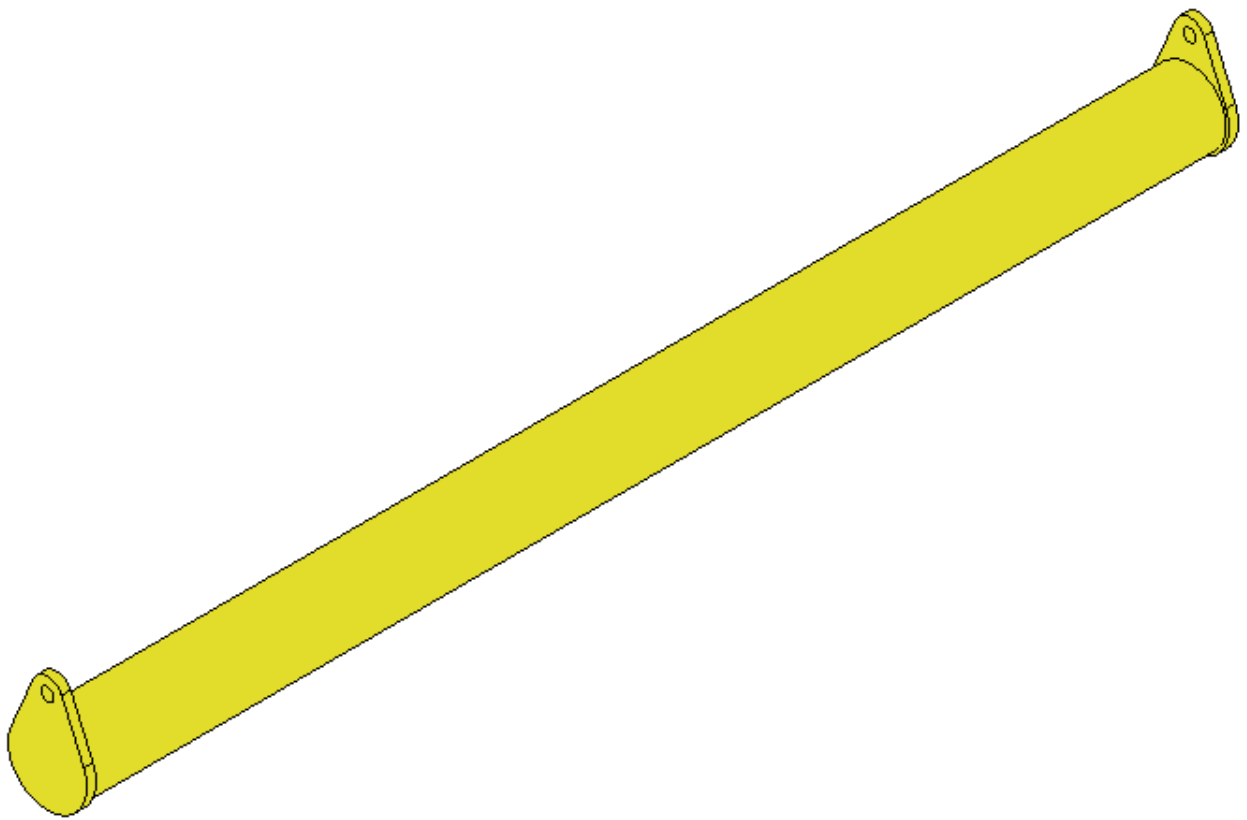
# LIFTING BEAM DIMENSIONS



## 2T V-BENT LIFTING BEAMS

PART NUMBER	DIMENSION A	DIMENSION B
TM-LVB-1600	1664	1640
TM-LVB-1650	1714	1690
TM-LVB-1800	1864	1840
TM-LVB-1850	1914	1890
TM-LVB-2000	2064	2040
TM-LVB-2050	2114	2090
TM-LVB-2200	2264	2240
TM-LVB-2250	2314	2290
TM-LVB-2400	2464	2440
TM-LVB-2450	2514	2490
TM-LVB-2500	2564	2540
TM-LVB-2600	2664	2640
TM-LVB-2700	2764	2740
TM-LVB-3000	3064	3040

# FLAT LIFTING BEAMS



## 1T FLAT LIFTING BEAMS

PART NUMBER	DETAILS	WEIGHT (KG)
TM-SFB760	760MM LIFTING BEAM – 1T	2.7
TM-SFB900	900MM LIFTING BEAM – 1T	3.1
TM-SFB950	950MM LIFTING BEAM – 1T	3.4
TM-SFB1000	1000MM LIFTING BEAM – 1T	3.7
TM-SFB1050	1050MM LIFTING BEAM – 1T	3.9
TM-SFB1200	1200MM LIFTING BEAM – 1T	5.7
TM-SFB1250	1250MM LIFTING BEAM – 1T	5.9
TM-SFB1350	1350MM LIFTING BEAM – 1T	6.6
TM-SFB1400	1400MM LIFTING BEAM – 1T	7.2
TM-SFB1450	1450MM LIFTING BEAM – 1T	7.5
TM-SFB1500	1500MM LIFTING BEAM – 1T	7.8
TM-SFB1550	1550MM LIFTING BEAM – 1T	8.2
TM-SFB1600	1600MM LIFTING BEAM – 1T	8.5
TM-SFB1650	1650MM LIFTING BEAM – 1T	8.9
TM-SFB1800	1800MM LIFTING BEAM – 1T	9.5
TM-SFB1850	1850MM LIFTING BEAM – 1T	9.8
TM-SFB2000	2000MM LIFTING BEAM – 1T	10.5
TM-SFB2050	2050MM LIFTING BEAM – 1T	10.8
TM-SFB2200	2200MM LIFTING BEAM – 1T	11.5
TM-SFB2250	2250MM LIFTING BEAM – 1T	11.8
TM-SFB2400	2400MM LIFTING BEAM – 1T	12.5
TM-SFB2450	2450MM LIFTING BEAM – 1T	12.8
TM-SFB2500	2500MM LIFTING BEAM – 1T	13.1
TM-SFB2600	2600MM LIFTING BEAM – 1T	13.6
TM-SFB2700	2700MM LIFTING BEAM – 1T	14.0
TM-SFB3000	3000MM LIFTING BEAM – 1T	16.5

## 1.5T FLAT LIFTING BEAMS

PART NUMBER	DETAILS	WEIGHT (KG)
TM-LFB760	760MM LIFTING BEAM – 1.5T	2.7
TM-LFB900	900MM LIFTING BEAM – 1.5T	3.1
TM-LFB950	950MM LIFTING BEAM – 1.5T	3.4
TM-LFB1000	1000MM LIFTING BEAM – 1.5T	3.7
TM-LFB1050	1050MM LIFTING BEAM – 1.5T	3.9
TM-LFB1200	1200MM LIFTING BEAM – 1.5T	5.7
TM-LFB1250	1250MM LIFTING BEAM – 1.5T	5.9
TM-LFB1350	1350MM LIFTING BEAM – 1.5T	6.6
TM-LFB1400	1400MM LIFTING BEAM – 1.5T	7.2
TM-LFB1450	1450MM LIFTING BEAM – 1.5T	7.5
TM-LFB1500	1500MM LIFTING BEAM – 1.5T	7.8
TM-LFB1550	1550MM LIFTING BEAM – 1.5T	8.2
TM-LFB1600	1600MM LIFTING BEAM – 1.5T	8.5
TM-LFB1650	1650MM LIFTING BEAM – 1.5T	8.9
TM-LFB1800	1800MM LIFTING BEAM – 1.5T	9.5
TM-LFB1850	1850MM LIFTING BEAM – 1.5T	9.8
TM-LFB2000	2000MM LIFTING BEAM – 1.5T	10.5
TM-LFB2050	2050MM LIFTING BEAM – 1.5T	10.8
TM-LFB2200	2200MM LIFTING BEAM – 1.5T	11.5
TM-LFB2250	2250MM LIFTING BEAM – 1.5T	11.8
TM-LFB2400	2400MM LIFTING BEAM – 1.5T	12.5
TM-LFB2450	2450MM LIFTING BEAM – 1.5T	12.8
TM-LFB2500	2500MM LIFTING BEAM – 1.5T	13.1
TM-LFB2600	2600MM LIFTING BEAM – 1.5T	13.6
TM-LFB2700	2700MM LIFTING BEAM – 1.5T	14.0
TM-LFB3000	3000MM LIFTING BEAM – 1.5T	16.5

## 2T FLAT LIFTING BEAMS

PART NUMBER	DETAILS	WEIGHT (KG)
TM-XFB760	760MM LIFTING BEAM – 2T	2.7
TM-XFB900	900MM LIFTING BEAM – 2T	3.1
TM-XFB950	950MM LIFTING BEAM – 2T	3.4
TM-XFB1000	1000MM LIFTING BEAM – 2T	3.7
TM-XFB1050	1050MM LIFTING BEAM – 2T	3.9
TM-XFB1200	1200MM LIFTING BEAM – 2T	5.7
TM-XFB1250	1250MM LIFTING BEAM – 2T	5.9
TM-XFB1350	1350MM LIFTING BEAM – 2T	6.6
TM-XFB1400	1400MM LIFTING BEAM – 2T	7.2
TM-XFB1450	1450MM LIFTING BEAM – 2T	7.5
TM-XFB1500	1500MM LIFTING BEAM – 2T	7.8
TM-XFB1550	1550MM LIFTING BEAM – 2T	8.2
TM-XFB1600	1600MM LIFTING BEAM – 2T	8.5
TM-XFB1650	1650MM LIFTING BEAM – 2T	8.9
TM-XFB1800	1800MM LIFTING BEAM – 2T	9.5
TM-XFB1850	1850MM LIFTING BEAM – 2T	9.8
TM-XFB2000	2000MM LIFTING BEAM – 2T	10.5
TM-XFB2050	2050MM LIFTING BEAM – 2T	10.8
TM-XFB2100	2100MM LIFTING BEAM – 2T	11.1
TM-XFB2150	2150MM LIFTING BEAM – 2T	11.3
TM-XFB2200	2200MM LIFTING BEAM – 2T	11.5
TM-XFB2250	2250MM LIFTING BEAM – 2T	11.8
TM-XFB2400	2400MM LIFTING BEAM – 2T	12.5
TM-XFB2450	2450MM LIFTING BEAM – 2T	12.8
TM-XFB2500	2500MM LIFTING BEAM – 2T	13.1
TM-XFB2600	2600MM LIFTING BEAM – 2T	13.6
TM-XFB2700	2700MM LIFTING BEAM – 2T	14.0
TM-XFB3000	3000MM LIFTING BEAM – 2T	16.5

## 3T FLAT LIFTING BEAMS

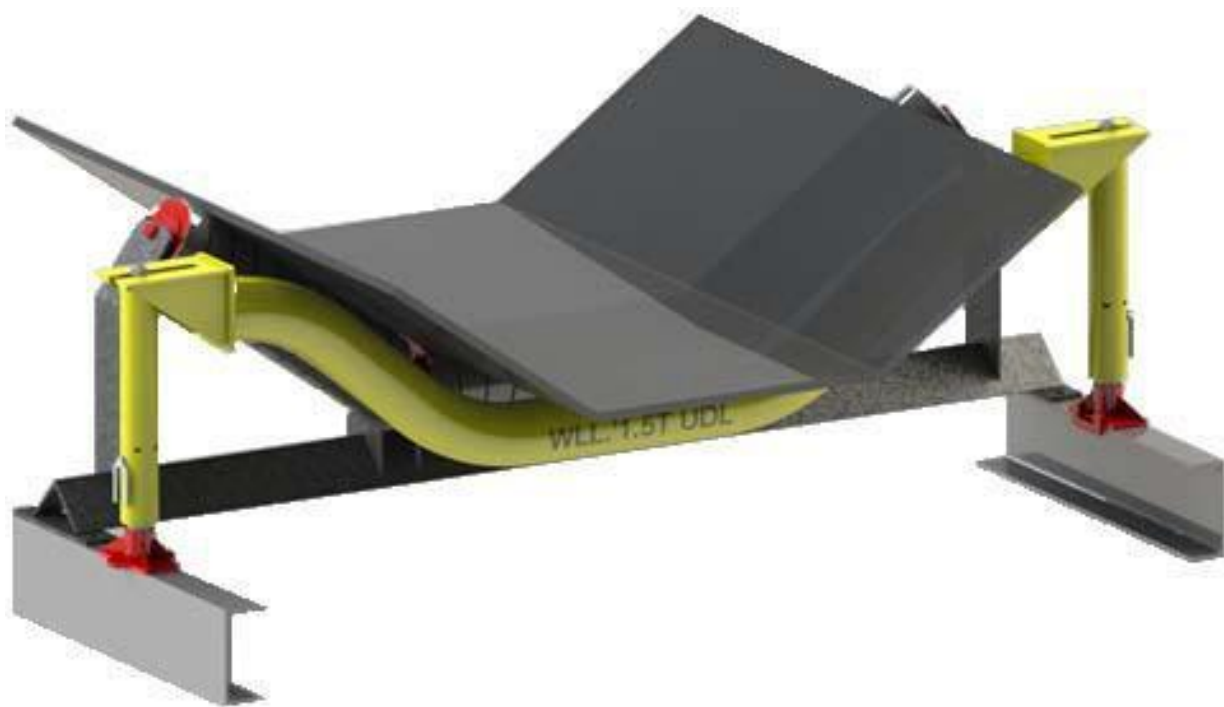
PART NUMBER	DETAILS	WEIGHT (KG)
TM-XXFB1800	1800MM LIFTING BEAM – 3T	15.5
TM-XXFB1850	1850MM LIFTING BEAM – 3T	16.0
TM-XXFB1950	1950MM LIFTING BEAM – 3T	17.0
TM-XXFB2000	2000MM LIFTING BEAM – 3T	17.5
TM-XXFB2050	2050MM LIFTING BEAM – 3T	18.0
TM-XXFB2200	2200MM LIFTING BEAM – 3T	19.5
TM-XXFB2250	2250MM LIFTING BEAM – 3T	20.0
TM-XXFB2400	2400MM LIFTING BEAM – 3T	21.5
TM-XXFB2450	2450MM LIFTING BEAM – 3T	22.0
TM-XXFB2500	2500MM LIFTING BEAM – 3T	22.5

## 3.5T FLAT LIFTING BEAMS

PART NUMBER	DETAILS	WEIGHT (KG)
TM-XXXFB1800	1800MM LIFTING BEAM – 3.5T	17.0
TM-XXXFB1850	1850MM LIFTING BEAM – 3.5T	17.5
TM-XXXFB1950	1950MM LIFTING BEAM – 3.5T	18.5
TM-XXXFB2000	2000MM LIFTING BEAM – 3.5T	19.0
TM-XXXFB2050	2050MM LIFTING BEAM – 3.5T	19.5
TM-XXXFB2200	2200MM LIFTING BEAM – 3.5T	21.0
TM-XXXFB2250	2250MM LIFTING BEAM – 3.5T	21.5
TM-XXXFB2400	2400MM LIFTING BEAM – 3.5T	23.0
TM-XXXFB2450	2450MM LIFTING BEAM – 3.5T	23.5
TM-XXXFB2500	2500MM LIFTING BEAM – 3.5T	24.0



# HYDRAULIC BELT LIFTER



# HYDRAULIC BELT LIFTER

## LIFTING COMPONENTS

PART NUMBER	DETAILS	WEIGHT (KG)
TMBL-CYLM	2X HYDRAULIC LIFTING TELESCOPE ASSEMBLY (350MM MAXIMUM LIFT)	7.5 (EACH) 15.0 (TOTAL)
TMBL-CYLS	2X HYDRAULIC LIFTING TELESCOPE ASSEMBLY (250MM MAXIMUM LIFT)	6.2 (EACH) 12.4 (TOTAL)

## MISCELLANEOUS NOTES

DETAILS	
1.	QUICK RELEASE HYDRAULIC CONNECTION POINTS
2.	LOAD TEST CERTIFICATE PROVIDED
3.	AVAILABLE IN 1T, 1.5T AND 2T LIFTING CAPACITIES
4.	PROTECTIVE CARRY/STORAGE CASE NOT INCLUDED

## OPTIONAL EXTRAS

PART NUMBER	DETAILS	WEIGHT (KG)
CHAIN	RETURN BELT LIFTING CHAINS	4.8

# ENERPAC AND TECHMINE CONVERTER



## COMPONENTS

PART NUMBER	DETAILS	WEIGHT (KG)
ENER-XC	HYDRAULIC POWER UNIT	10.5
TMEN28	28V DC LI-ION BATTERY	0.8
TMECH28	BATTERY CHARGER	N/A
TECHCONV-LP	TECHMINE CONVERTER MODULE	4.5

# HYDRAULIC POWER PACK



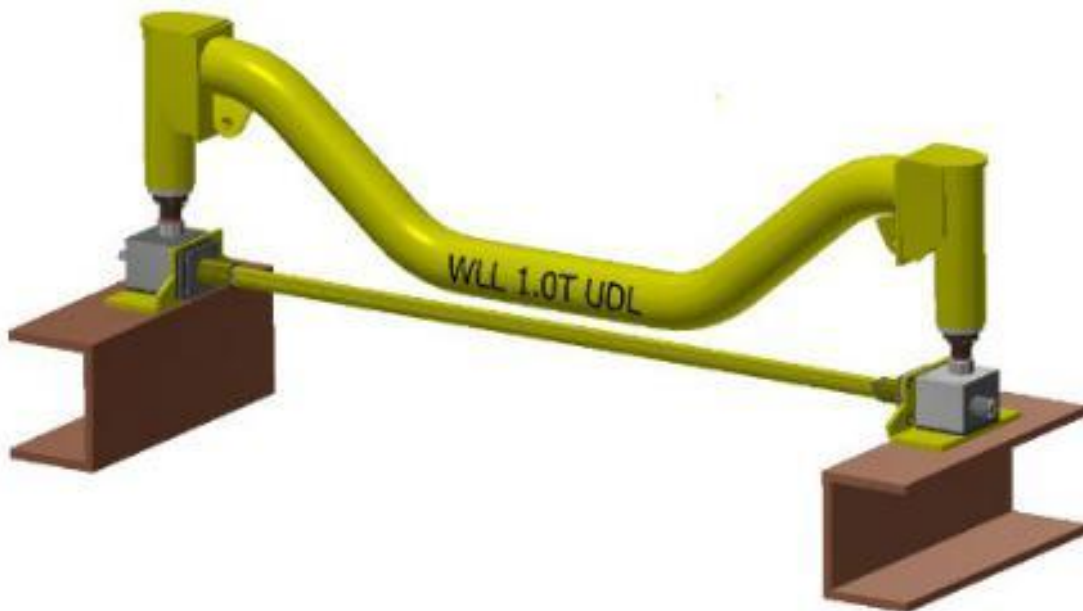
## MODELS

PART NUMBER	DETAILS	WEIGHT (KG)
HPU-1.0T	HYDRAULIC POWER UNIT – 1.0T	18.0
HPU-1.5T	HYDRAULIC POWER UNIT – 1.5T	18.2
HPU-2.0T	HYDRAULIC POWER UNIT – 2.0T	19.0

## COMPONENTS

PART NUMBER	DETAILS	WEIGHT (KG)
HPU-BATT	24V DC LI-ION BATTERY	0.8
HPU-CHAR	BATTERY CHARGER	N/A
	2X FLEXIBLE HOSE (4M)	N/A
	POWER COATED CRADLE	N/A

# MECHANICAL BELT LIFTER

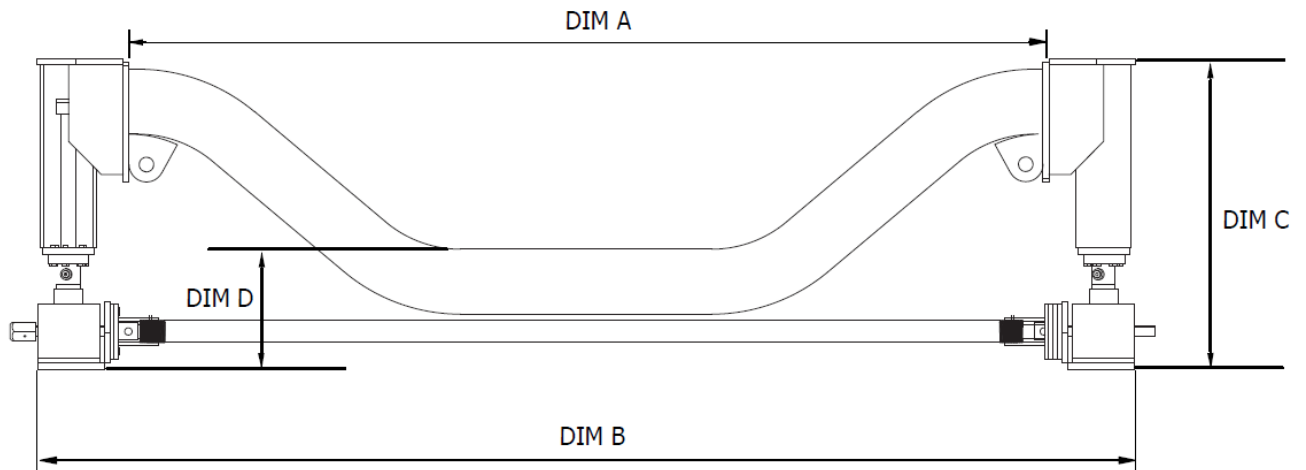


# MECHANICAL BELT LIFTER

## MODELS

PART NUMBER	DETAILS	WEIGHT (KG)
TM-SM-1.0T-900	MECHANICAL BELT LIFTER – 1.0T (FOR 900MM BELT)	19
TM-SM-1.0T-1050	MECHANICAL BELT LIFTER – 1.0T (FOR 1050MM BELT)	20.3
TM-SM-1.0T-1200	MECHANICAL BELT LIFTER – 1.0T (FOR 1200MM BELT)	21.5
TM-SM-1.0T-1400	MECHANICAL BELT LIFTER – 1.0T (FOR 1400MM BELT)	23.8
TM-SM-1.0T-1500	MECHANICAL BELT LIFTER – 1.0T (FOR 1500MM BELT)	24.3
TM-SM-1.0T-1600	MECHANICAL BELT LIFTER – 1.0T (FOR 1600MM BELT)	24.8
TM-SM-1.0T-1800	MECHANICAL BELT LIFTER – 1.0T (FOR 1800MM BELT)	25.5

# GENERAL ASSEMBLY DIMENSIONS



PART NUMBER	DIM A	DIM B	DIM C (MIN)	DIM C (MAX)	DIM D (MIN)	DIM D (MAX)
TM-SML-900	934	1184	410	710	219	519
TM-SML-1200	1284	1534	430	730	200	500
TM-SML-1500	1634	1884	514	814	194	494
TM-SML-1600	1734	1984	530	830	180	480
TM-SML-1800	2034	2284	640	940	260	560
TM-SML-2000	2234	2484	640	940	218	518
TM-SML-CUST	CUSTOM	CUSTOM	CUSTOM	CUSTOM	CUSTOM	CUSTOM

## NOTES

- DIM C (MIN) AND DIM D (MIN) REFERS TO HEIGHT WHEN HYDRAULIC TELESCOPE IS AT MINIMUM EXTENSION.
- DIM C (MAX) AND DIM D (MAX) REFERS TO HEIGHT WHEN HYDRAULIC TELESCOPE IS AT MAXIMUM EXTENSION.